

FABRICATED OPEN STEEL FLOORING



**Global
Walkway
Solutions**

TO: _____ REF: _____ DATE: _____

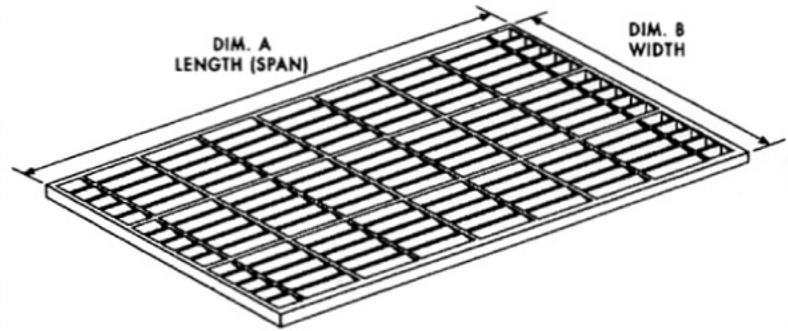
Please tick appropriate boxes and fill in relevant dimensional information

- LOAD BEARING BAR SECTION (E.G. 25 x 3mm) _____ mm
- BEARING BAR/CROSS BAR ARRANGEMENT (E.G. 41/100mm) _____ mm
- FINISH SELF COLOUR GALVANISED RED OXIDE OTHER PLEASE SPECIFY

No. REQ'D	LENGTH DIM. A	WIDTH DIM. B

PANEL TYPES

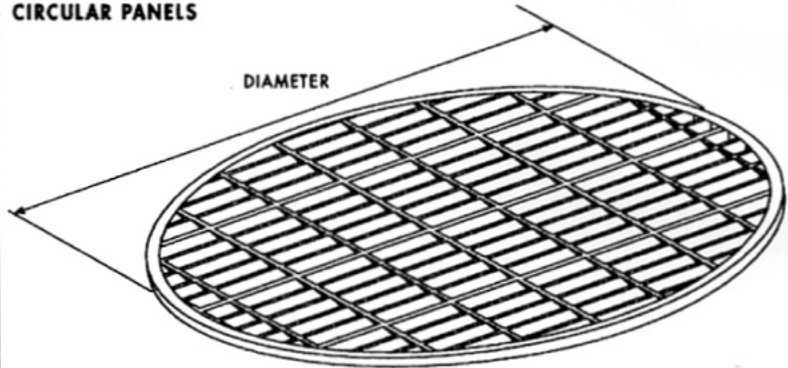
RECTANGULAR PANELS



- LOAD BEARING BAR SECTION (E.G. 25 x 3mm) _____ mm
- BEARING BAR/CROSS BAR ARRANGEMENT (E.G. 41/100mm) _____ mm
- FINISH SELF COLOUR GALVANISED RED OXIDE OTHER PLEASE SPECIFY

No. REQ'D	DIAMETER mm

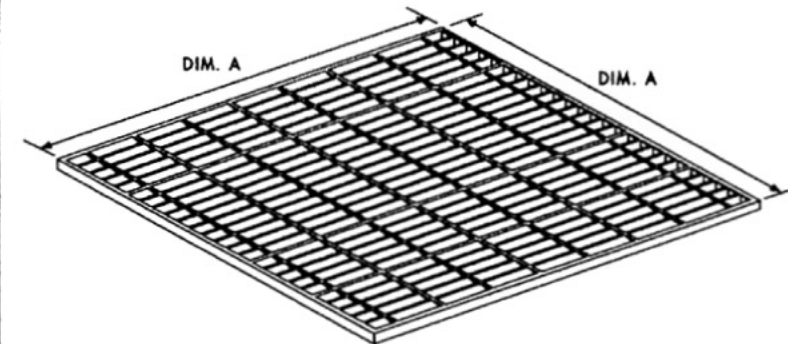
CIRCULAR PANELS



- LOAD BEARING BAR SECTION (E.G. 25 x 3mm) _____ mm
- BEARING BAR/CROSS BAR ARRANGEMENT (E.G. 41/100mm) _____ mm
- FINISH SELF COLOUR GALVANISED RED OXIDE OTHER PLEASE SPECIFY

No. REQ'D	LENGTH DIM. A

SQUARE PANELS



COMMENTS